



## Bulletin

# Metris Airbag Deployment Zone: No build Zones

EVS Charleston, 1/24/2018

Mercedes-Benz Vans, LLC

Mercedes-Benz

Vans. Born to run.



# Notice

Mercedes-Benz Vans, LLC does not warrant the accuracy of the information contained in this bulletin and reserves the right to modify or append this bulletin without prior notification. Mercedes-Benz disclaims all liability associated with the provision of this bulletin.

This bulletin is not intended to serve as a work instruction, but merely to provide some helpful information for Upfitters to take into consideration before retrofitting or modifying a Mercedes-Benz Metris Van.

Prior to making any modification to or installing any equipment in or on a Mercedes-Benz Metris, you should review and ensure compliance with all applicable laws and regulations, consult with Vans Engineering Support for Upfitter Management for additional and updated information, and read the Body & Equipment Guidelines for Metris Model Series 447.

## Upfitter Management Vans Contacts:

For information or Upfitter inquiries please submit a request via our website:

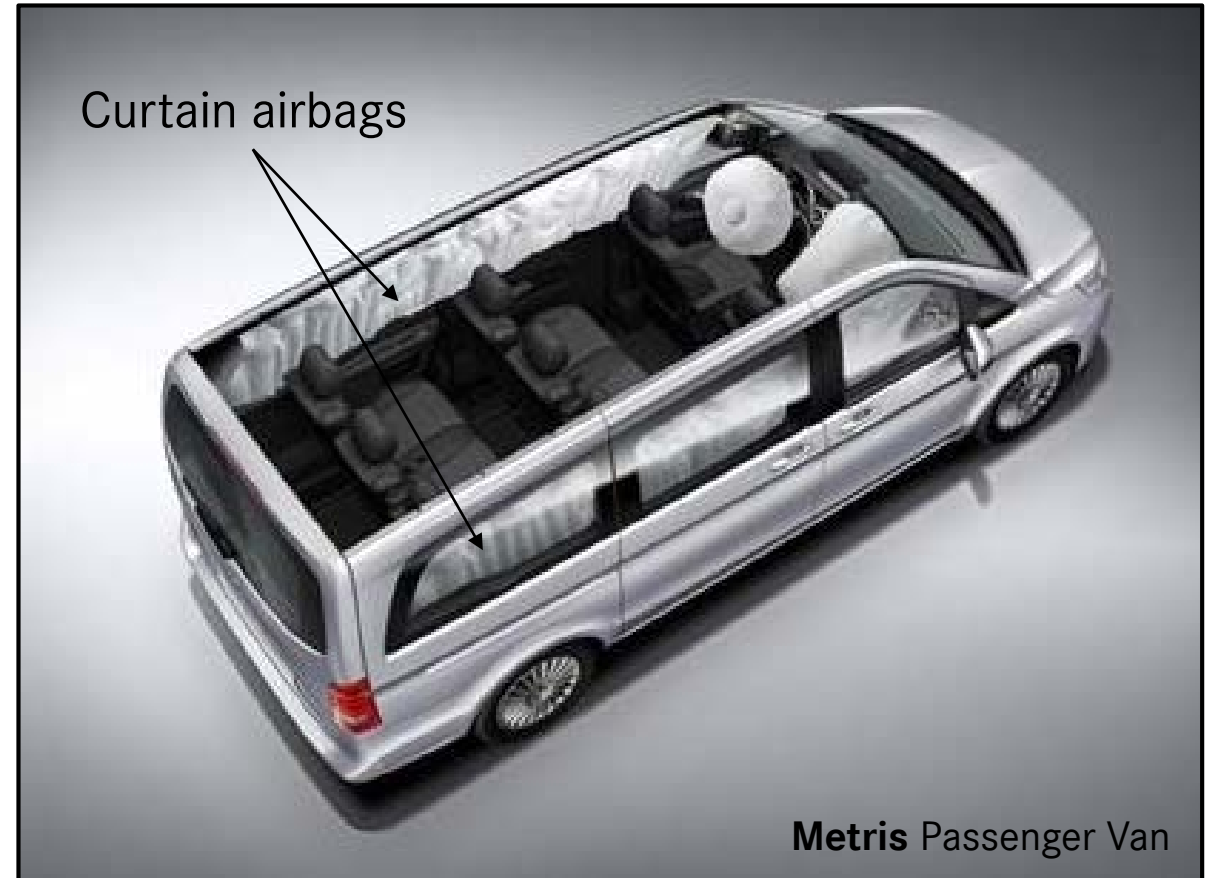
[www.upfitterportal.com](http://www.upfitterportal.com)

# Metris Airbag Deployment Zone: No build Zones

## Technical Bulletin

### Introduction:

The purpose of this bulletin is to inform all alterers & special equipment manufacturers planning to modify Metris model year 2016 & newer vehicles with equipment potentially interfering with the window airbags. The side curtain airbags deploy along the left and right side of the roof liner from the D-Pillar to the A-Pillar to protect occupants in all three rows of the vehicle. It is imperative that aftermarket installations to the interior of the Metris do not interfere with the deployment zone of the side curtain airbags.

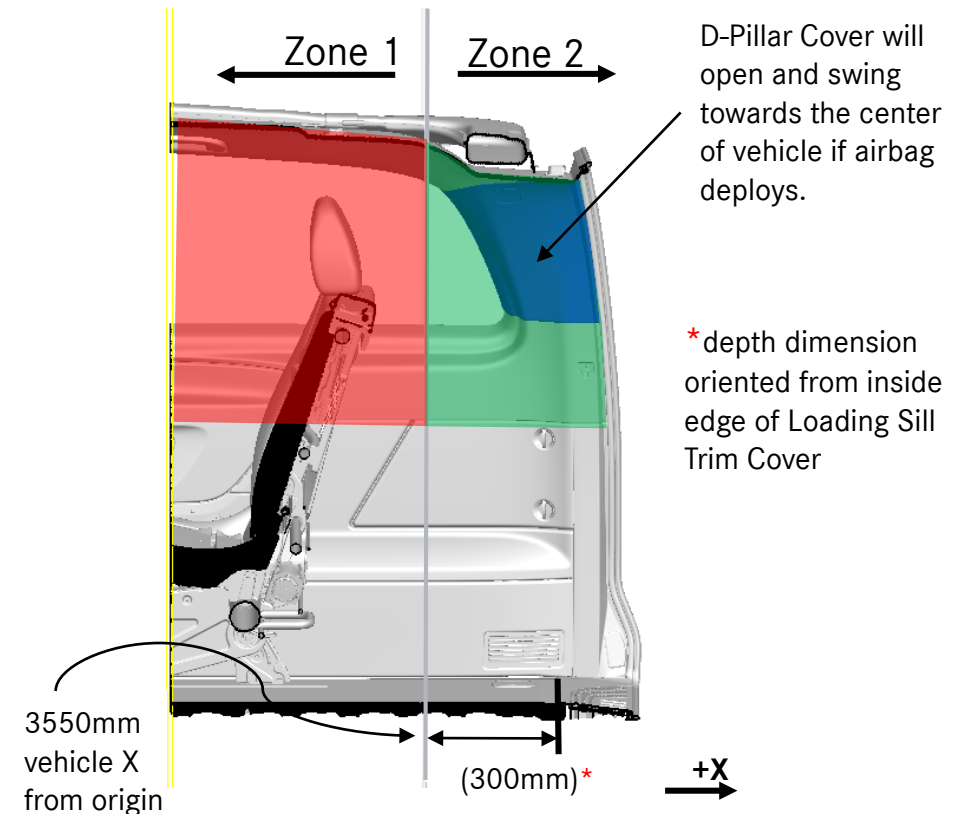
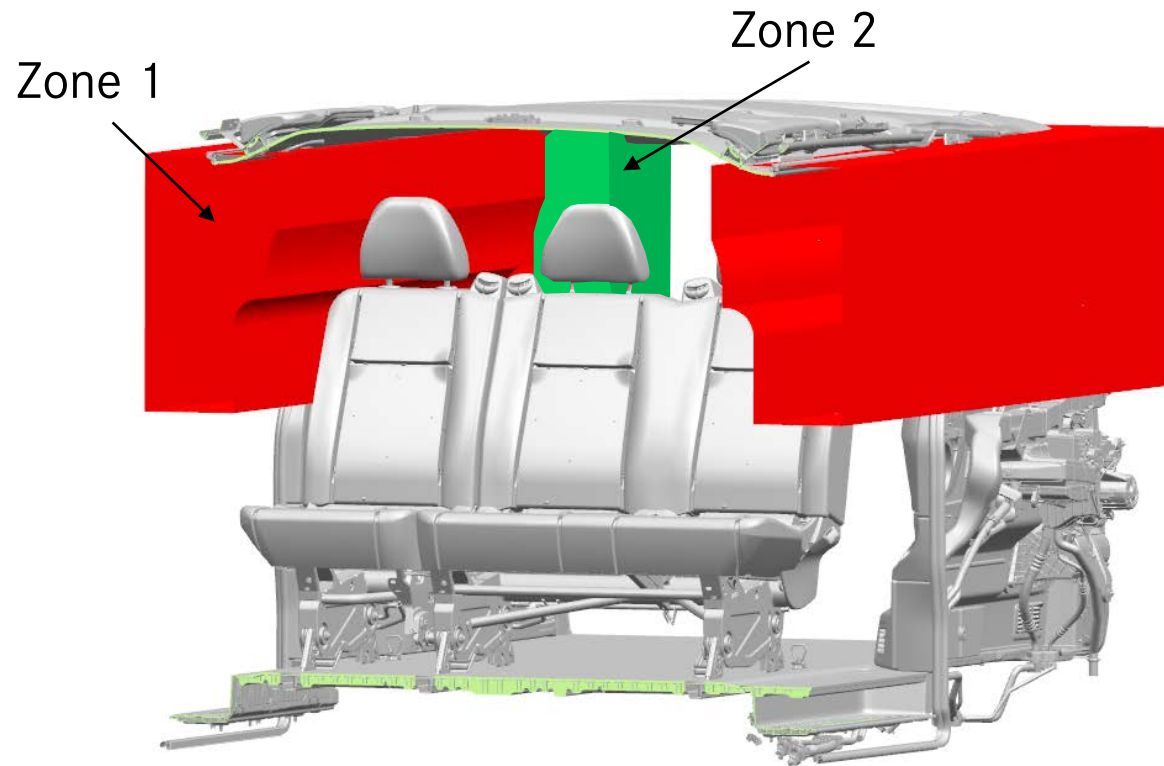


# Metris Airbag Deployment Zone: No build Zones

## Technical Bulletin

### Overview:

Airbag Deployment Zone 1 (red) and Zone 2 (green). Both Zones are described as “no build Zones”.



# Metris Airbag Deployment Zone: No build Zones

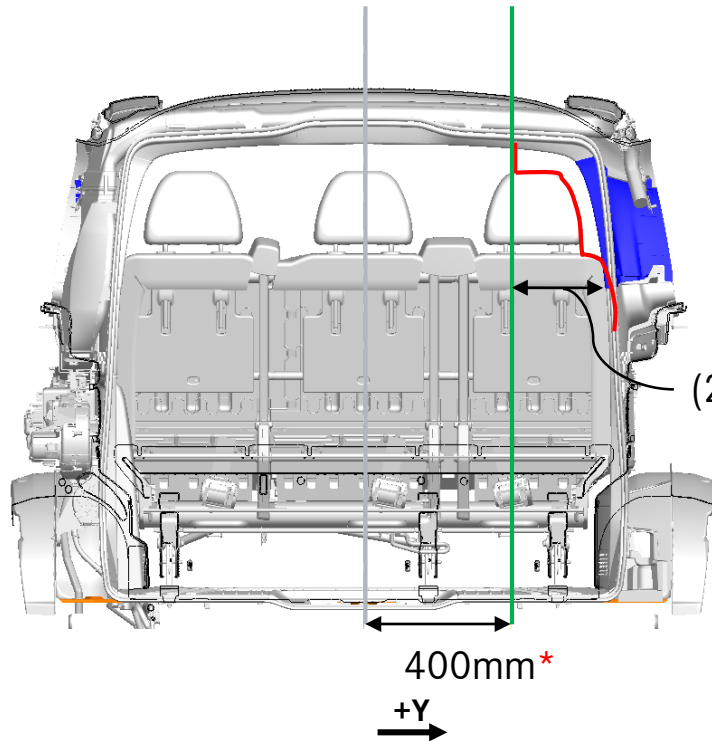
## Technical Bulletin

### Width Boundary for Zone 1

- Outside shape of rear Bench
- red line

### Width Boundary for Zone 2

- green line



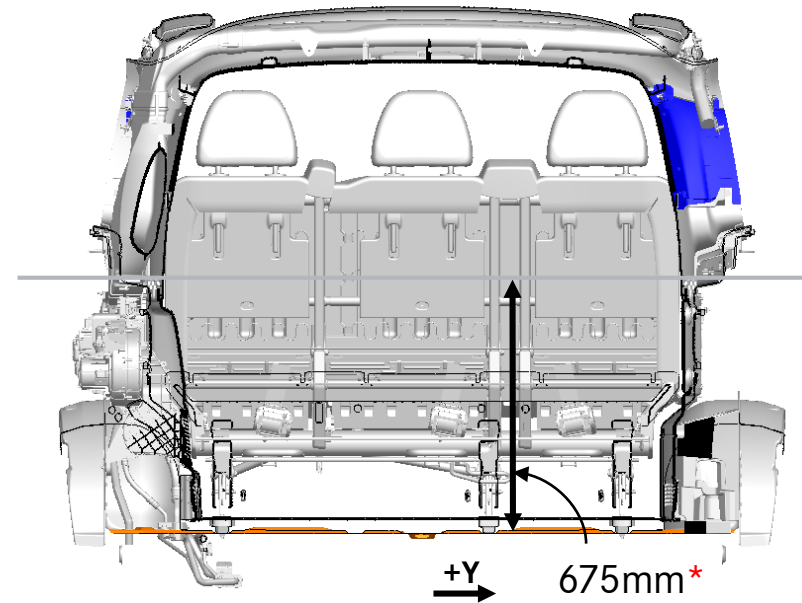
\*Inside boundary of Zone 2 from bottom-most inside edge of D Pillar trim. Note that boundary can also be measured from vehicle X-Y center line, which is 400mm.

(254mm)\*

400mm\*

+Y  
→

### Height Boundary for Zone 1 and for Zone 2



\*Zone 1 and 2 height oriented from the top of the floor pan.

+Y  
→ 675mm\*