



# Bulletin: Bolted Connections on Rigid Bodies

09/08/2015



Mercedes-Benz  
Vans. Born to run.

**NOTICE:**

The specifications, descriptions, information, and recommendations contained in this bulletin are believed to be accurate as of September 8, 2015.

Upfitter Management Vans reserves the right to modify or append this document without prior notification.

This bulletin is not intended as a work instruction, but as a guideline for upfitters to provide technical information necessary to retrofit or modify Mercedes-Benz Sprinters & Freightliner Sprinters (906).

Prior to making any modification to or installing any equipment in or on a Mercedes-Benz Sprinter & Freightliner Sprinter, please consult with Upfitter Management Vans for additional and updated information, and read the Body & Equipment Guidelines for Sprinter Model Series 906.

**Upfitter Management Vans Contacts:**

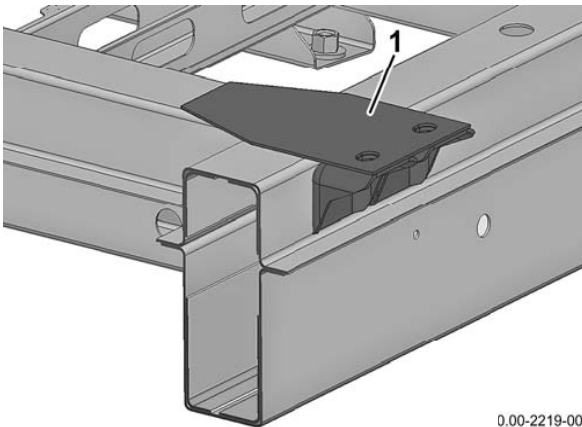
For information or upfitter inquiries  
please submit a request via our website:

[www.upfitterportal.com](http://www.upfitterportal.com)

## Bolted Connections

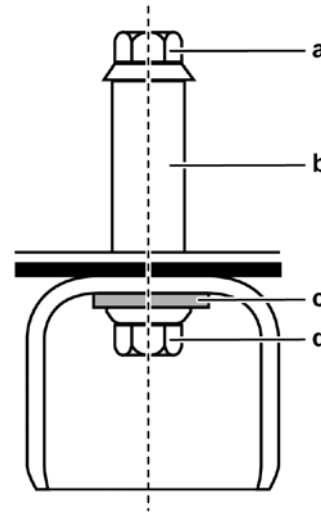
On rigid bodies (e.g. van bodies, refrigeration body, integral RV bodies or lifting platforms etc.), a spacer sleeve must be used on the first and second body bracket. This kind of bolted connection will prevent inducing peak stress into the frame and to avoid the bolted connection to become loose.

The dimensions of the spacer sleeves must be adequate to ensure that they cannot become deformed.

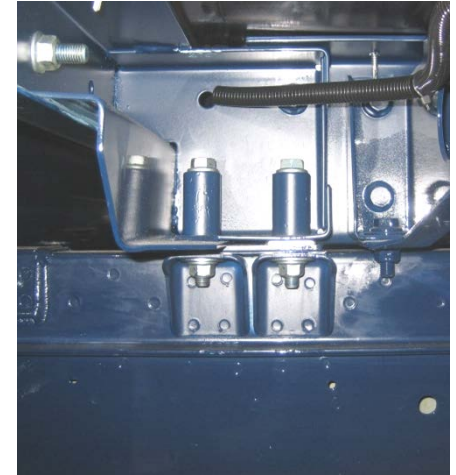


### Body mount on frame

1 front body mount



N60.00-2230-00



### Suggested method for producing a bolted connection locked to prevent loosening

- a bolt with flange M12 x 90, Grade A
- b spacer sleeve 22-13 x 50
- c washer (DIN 7349-13-ST or equivalent)
- d nut with flange M12, Grade A