



Bulletin: Low Roof (Option Code FA 1)

09/08/2015



Mercedes-Benz
Vans. Born to run.

NOTICE:

The specifications, descriptions, information, and recommendations contained in this bulletin are believed to be accurate as of September 8, 2015.

Upfitter Management Vans reserves the right to modify or append this document without prior notification.

This bulletin is not intended as a work instruction, but as a guideline for upfitters to provide technical information necessary to retrofit or modify Mercedes-Benz Sprinters & Freightliner Sprinters (906).

Prior to making any modification to or installing any equipment in or on a Mercedes-Benz Sprinter & Freightliner Sprinter, please consult with Upfitter Management Vans for additional and updated information, and read the Body & Equipment Guidelines for Sprinter Model Series 906.

Upfitter Management Vans Contacts:

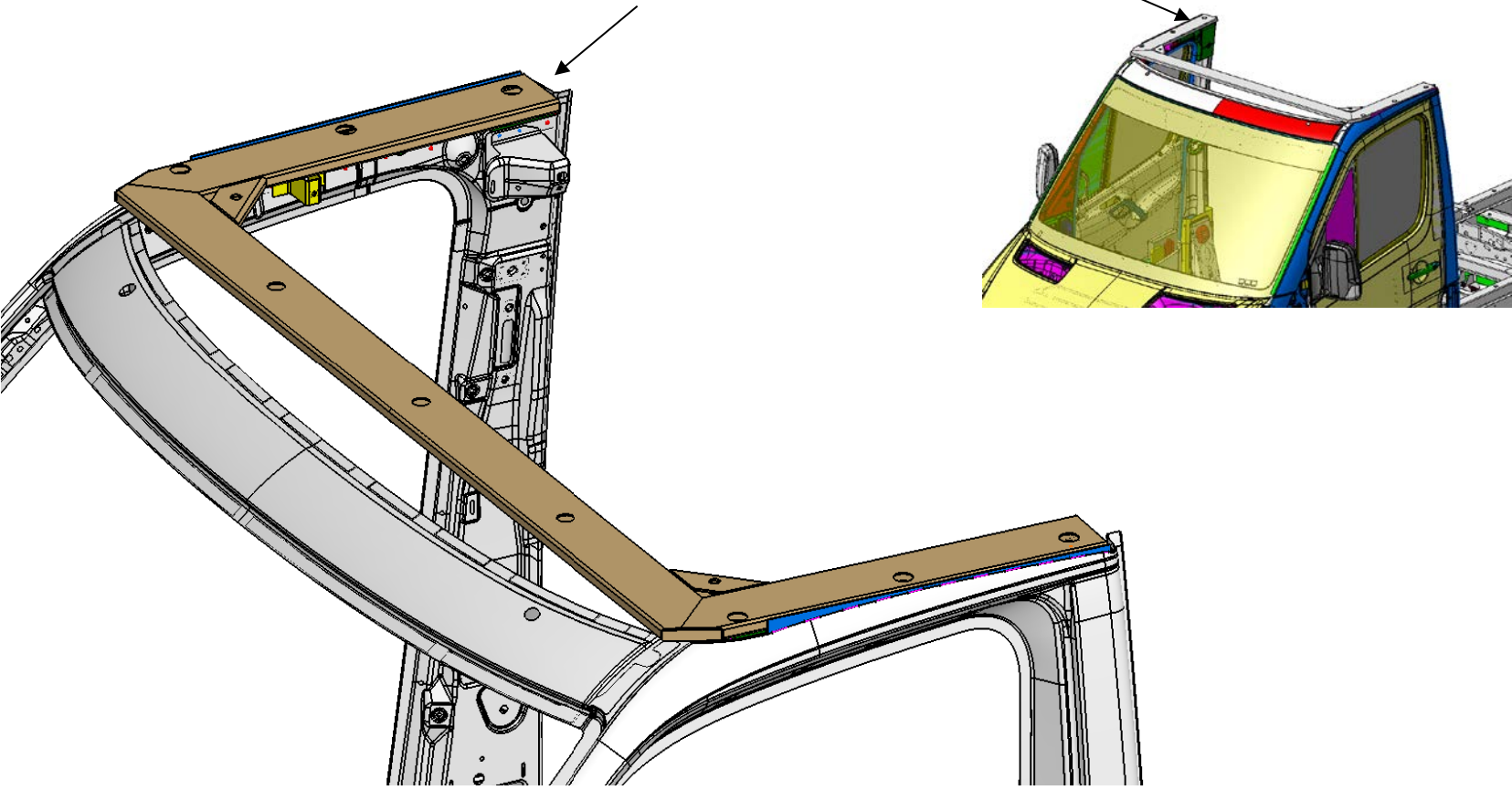
For information or upfitter inquiries
please submit a request via our website:

www.upfitterportal.com

FA 1 - Information

Reinforcement frame to compensate for structural integrity

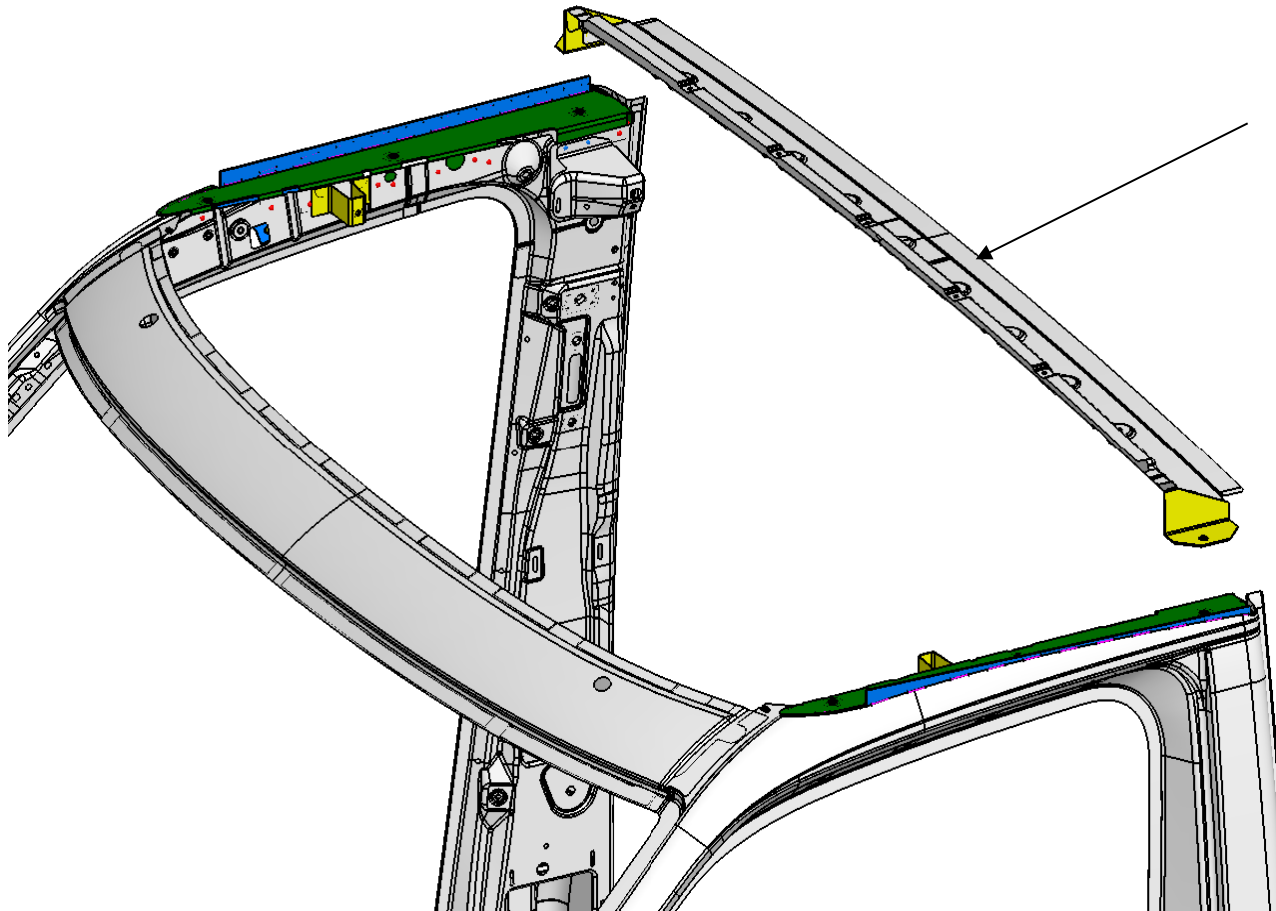
Top of frame at Z=1595mm
(86mm - 3.4in lower than original roof level)



FA 1 - Information

Roof-bow removal (Upfitter)

Remove roof-bow



FA 1 - Information

Scope of delivery:

- Roof-bow bolted for shipping

Reinforcement frame to compensate for structural integrity



FA1 – Mounting Information

Part # N000000 004306 Hex Bolts MBN 10143-M10X 20-10.9-MK DBL9460.40 Qty 6

Torque: 40Nm +/- 2Nm → 29.5ftlb +/- 1.5ftlb

Bolting reinforcement frame (Upfitter)

