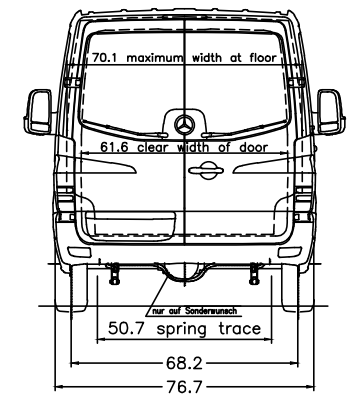


Heckueroeffnung 90°/180°
(rear door opening)
Sonderausrustung 260°
(optional equipment)



Important notes:
 - It is the responsibility of the bodybuilder to ensure that the vehicle is suitable for homologation after the body has been mounted.
 - The drawing is simplified to some extent and is not legally binding. For more details and further explanations please see the Mercedes-Benz User Guide in the bodybuilder portal.
 - Please check whether the drawing specification complies with the chassis configuration of your order.
 - Optional equipment codes not listed here, KW-codes and changes resulting from feasibility checks (BBA) are not included in the drawing.

| | | | | | | | | | | | |
|----------------|-----------------|----------------------|---------|---------|--------|--------------------|------|--|----|---|--|
| vehicle type : | loading space = | 318 cu.ft. | H | G | α° | β° | γ° | All dimensions refer to the standard version. Measurements of laden vehicle. | | The reserve of rights for this drawing/the drawing may neither be copied nor passed on to any third person. | |
| 906.633-13 | 59.2 sq.ft. | | unladen | unladen | 25.4 | 29.9 | 97.2 | 27 | 28 | 22 | Dimensions are subject to a tolerance of up to +/- 3%. |
| tyres | 225/75R16 | gross vehicle weight | GW (t) | FA (t) | RA (t) | Subject to change. | | 23.04.15 | | Cargo Van/Crew Van | |
| | 225/75R16 | | 1759 | 816 | | | | | | Abtlg. (Dept.) TE/SOD 70546 Stuttgart | |
| | | | | | | | | 2025 Date | | 2025 Date | |
| | | | | | | | | | | Mercedes-Benz 2500/4x2/144.3 HVA 9061000169 | |