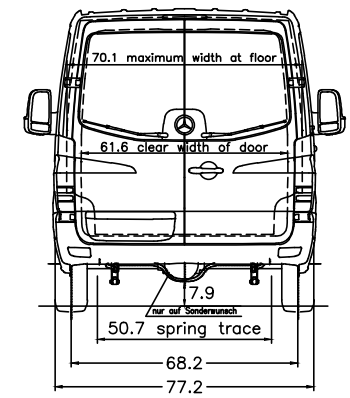


Heckueroeffnung 90°/180°
(rear door opening)
Sonderausrustung 260°
(optional equipment)



Important notes:
- It is the responsibility of the bodybuilder to ensure that the vehicle is suitable for homologation after the body has been mounted.
- The drawing is simplified to some extent and is not legally binding. For more details and further explanations please see the Mercedes-Benz User Guide in the bodybuilder portal.
- Please check whether the drawing specification complies with the chassis configuration of your order.
- Optional equipment codes not listed here, KW-codes and changes resulting from feasibility checks (BBA) are not included in the drawing.

- 103 Sprinter standard
- 104 Wheelbase 3685 mm
- 103 Engine OM 661 EC 22 LA 120 kW (163 hp) 3800 rpm
- 104 Engine (ex-entree EPA 14/CARB)
- 106 Tyres LT 245/75 R16
- 104 Adjustable co-drivers seat
- 116 Sliding door right
- 112 Higher weight 3,800 kg
- 230 Facelift
- 240 Panel van

vehicle type :		loading space =		H		G		α°		β°		All dimensions refer to the standard version. Measurements of body vehicle.		The reserve of rights for this drawing/the drawing may neither be copied nor passed on to any third person.			
906.633-13		59.2 sq.ft.		23.6		25.8		96.3		18		16		Our instructions for the manufacture of superstructures must be observed, when planning in fit bodies of other than Mercedes-Benz manufacturers.		Dimensions are subject to a tolerance of up to +/- 3%.	
tyres	245/75R16	gross vehicle weight	GW (t)	FA (t)	RA (t)	Subject to change.										Cargo Van/Crew Van	
	245/75R16		1759	816												Abtlg. (Dept.) TE/SOD 70546 Stuttgart	
														23.04.15		2500/4x2/144.3	
														205 Date		205 Date	
														Mercedes-Benz		HVA 9061000163	