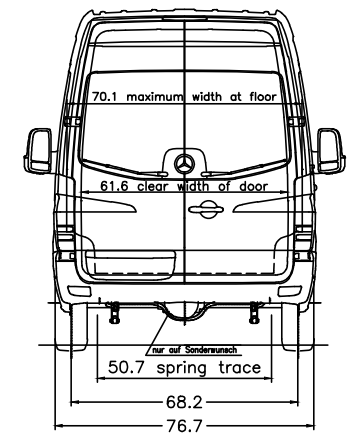


Hecktueroeffnung 90°/180°  
(rear door opening)  
Sonderausrustung 260°  
(optional equipment)



- R07 Wheelbase 4325 mm, overhang 2015 mm
- M05 Engine Oil 242 DE 30 LA 140 kW (190 hp) 2800 rpm
- M08 Engine low-emission EPA 14/Class
- R08 Tyres LT 240/70 R16
- S04 Adjustable co-drivers seat
- T16 Sliding door, right
- X08 Higher weight 3,800 kg
- M00 Foglight
- Z01 All-wheel drive, engageable
- S00 Panel van

**Important notes:**  
 - It is the responsibility of the bodybuilder to ensure that the vehicle is suitable for homologation after the body has been mounted.  
 - The drawing is simplified to some extent and is not legally binding. For more details and further explanations please see the MBAC-Info User Guide in the bodybuilder portal.  
 - Please check whether the drawing specification complies with the chassis configuration of your order.  
 - Optional equipment codes not listed here, KW-codes and changes resulting from feasibility checks (BBA) are not included in the drawing.

vehicle type :	loading space =	547 cu.ft.	H		G		$\alpha^\circ$	$\beta^\circ$	$\delta^\circ$	All dimensions refer to the standard version. Measurements of laden vehicle.		The reserve of rights for this drawing/the drawing may neither be copied nor passed on to any third person.
906.637-13	84 sq.ft.	25.3	29.2	10B	27	28				19	Our instructions for the manufacture of superstructures must be observed, when planning in fit bodies of other than Mercedes-Benz manufacturers.	
tyres	225/75R16	gross vehicle weight	GW (t)	FA (t)	RA (t)					Cargo Van/Crew Van		
	225/75R16		1759	816							Abtlg. (Dept.) TE/SOD 70546 Stuttgart	
										23.04.15	2500/4x2/170.3	
										205 Date	205 Date	Order no.
										Mercedes-Benz		HVA 9061000204