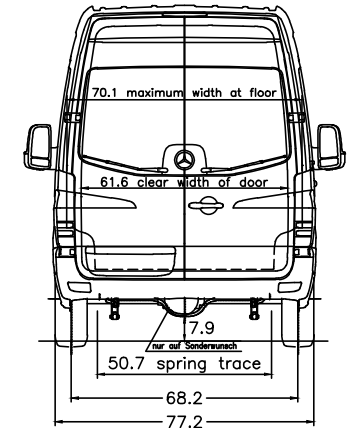


Hecktueroeffnung 90°/180°  
(rear door opening)  
Sonderausrustung 260°  
(optional equipment)



**Important notes:**  
- It is the responsibility of the bodybuilder to ensure that the vehicle is suitable for homologation after the body has been mounted.  
- The drawing is simplified to some extent and is not legally binding. For more details and further explanations please see the MBAC-Info User Guide in the bodybuilder portal.  
- Please check whether the drawing specification complies with the chassis configuration of your order.  
- Optional equipment codes not listed here, KW-codes and changes resulting from feasibility checks (BBA) are not included in the drawing.

- 103 Sprinter standard
- 108 Wheelbase 4225 mm, overhang 1415 mm
- 103 Engine OM 601 UC 22 14 120 kW (163 hp) 3800 rpm
- 104 Engine 100-entlasten EPA 14/CA98
- 106 Tyres LT 245/75 R16
- 104 Adjustable co-drivers seat
- 116 Sliding door right
- 12.0 Higher weight 3,800 kg
- 200 Fawcett
- 240 Panel van
- D03 High roof
- D05 High roof
- D20 Full-length partition

vehicle type :	loading space =	H		G		$\alpha^\circ$	$\beta^\circ$	$\delta^\circ$	All dimensions refer to the standard version. Measurements of laden vehicle.	
		unladen	unladen	unladen	unladen				RA (t)	RA (t)
906.635-13	79.7 sq.ft.	23.6	25.4	107.5	18	12	13	Our instructions for the manufacturer of superstructures must be observed, when planning in fit bodies of other than Mercedes-Benz manufacturers.		Dimensions are subject to a tolerance of up to +/- 3%.
tyres	245/75R16 245/75R16	gross vehicle weight		GW (t)	FA (t)	RA (t)	Subject to change.			
				1759	816					
										23.04.15
										2025 Date Order no. 2025 Date Order no.

Cargo Van/Crew Van  
Abtig. (Lept.) TE/SOD  
70546 Stuttgart  
2500/4x2/170.3  
HVA 9061000179  
Mercedes-Benz