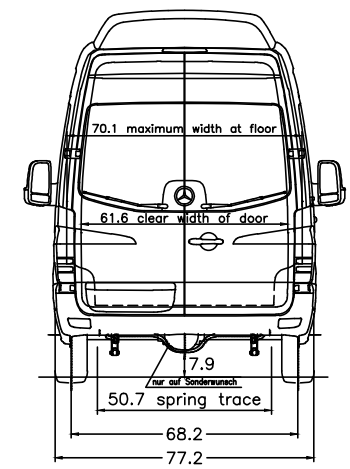


Hecktueroeffnung 90°/180°  
(rear door opening)  
Sonderausrustung 260°  
(optional equipment)



**Important notes:**  
- It is the responsibility of the bodybuilder to ensure that the vehicle is suitable for homologation after the body has been mounted.  
- The drawing is simplified to some extent and is not legally binding. For more details and further explanations please see the Mercedes-Benz User Guide in the bodybuilder portal.  
- Please check whether the drawing specification complies with the chassis configuration of your order.  
- Optional equipment codes not listed here, KW-codes and changes resulting from feasibility checks (BBA) are not included in the drawing.

D05 Super-high roof  
D06 Super-high roof  
D20 Full-length partition

103 Sprinter standard  
108 Wheelbase 4325 mm, overhang 1818 mm  
103 Engine OM 601 DC 22 14 120 kW (163 hp) 3800 rpm  
104 Engine 100-entstoes EPA 14/CA98  
106 Tyres LT 245/75 R16  
104 Adjustable co-drivers seat  
116 Sliding door right  
12.0 Higher weight 3,880 kg  
230 FourM  
240 Panel van

vehicle type :	loading space =	H		G		$\alpha^\circ$	$\beta^\circ$	$\delta^\circ$	All dimensions refer to the standard version. Measurements of laden vehicle.		The reserve of rights for this drawing: The drawing may neither be copied nor passed on to any third person.
		unladen	unladen	unladen	unladen				Our instructions for the manufacturer of superstructures must be observed, when planning in fit bodies of other than Mercedes-Benz manufacturers.	Dimensions are subject to a tolerance of up to +/- 3%	
906.635-13	79.7 sq.ft.	23.6	25.4	116.7	18	12	13	Subject to change.		23.04.15	Cargo Van/Crew Van
tyres	245/75R16 245/75R16	gross vehicle weight		GW (t)	FA (t)	RA (t)					Abtlg. (Dept.) TE/SOD 70546 Stuttgart
				1759	816						2500/4x2/170.3 HVA 9061000180
		202	Date	Order no.	202	Date	Order no.	Mercedes-Benz			