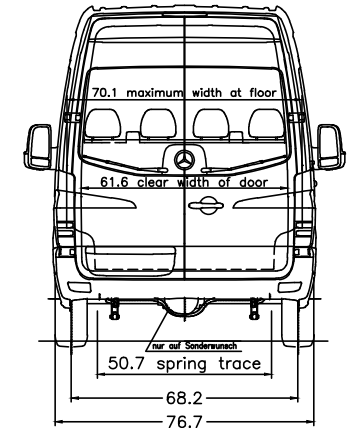


Heckueroeffnung 90°/180°  
(rear door opening)  
Sonderausrustung 260°  
(optional equipment)



- D03 High roof
- D03 High roof
- R03 Splitter standard
- R04 Wheelbase 3005 mm
- M05 Engine OM 842 DC 30 LA 140 kW (190 hp) 3800 rpm
- M06 Engine low-emission EPA 14/2408

- R08 Tyres LT 245/75 R16
- S04 Adjustable co-driver seat
- T18 Sliding door right
- U02 Seats pass. comp. 3-seat bench 1st row narrow
- U03 Pass. comp. seating, 3-seater bench/narrow 2nd row
- U04 Passenger seats, 6-seater bench 3rd row
- Z08 Figure weight 3,200 kg
- Z00 Front
- Z01 All-wheel drive, engageable
- S04 Crossbar

**Important notes:**  
 - It is the responsibility of the bodybuilder to ensure that the vehicle is suitable for homologation after the body has been mounted.  
 - The drawing is simplified to some extent and is not legally binding. For more details and further explanations please see the MBAC-Truck User Guide in the bodybuilder portal.  
 - Please check whether the drawing specification complies with the chassis configuration of your order.  
 - Optional equipment codes not listed here, KW-codes and changes resulting from feasibility checks (BBA) are not included in the drawing.

vehicle type :	loading space =	H		G		$\alpha^\circ$	$\beta^\circ$	$\delta^\circ$	All dimensions refer to the standard version.		The reserve of rights for this drawing/the drawing may neither be copied nor passed on to any third person.
		unladen	unladen	unladen	unladen				Measurements of laden vehicle.		
906.733-13	59.2 sq.ft.	25.4	29.4	108.1	27	28	22	Our instructions for the manufacture of superstructures must be observed, when planning in fit bodies of other than Mercedes-Benz manufacturers.		Dimensions are subject to a tolerance of up to +/- 3%	
tyres	225/75R16 225/75R16	gross vehicle weight		GW (t)	FA (t)	RA (t)	Subject to change.		18.0x15	Passenger Van	
				1759	816					2500/4x2/144.3	
										Mercedes-Benz	HVA 9061000292