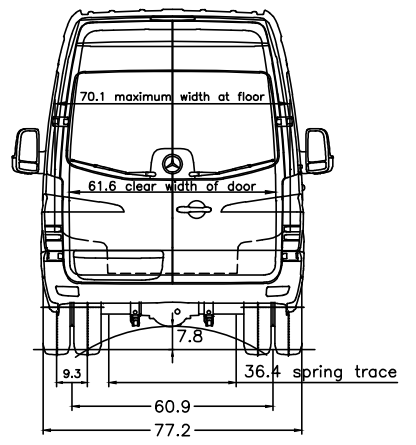


Heckueroeffnung 90°/180°
(rear door opening)
Sonderausrustung 260°
(optional equipment)



- D00 Full-length partition
- D03 Sprinter standard
- H14 Wheelbase 3600 mm
- M05 Engine OM 642 DE 30 LA 140 kW (190 hp) 3800 rpm
- M07 Engine, low-emission EPA 16/040
- M17 Tyres LT 215/85 R16
- S04 Adjustable co-driver's seat
- T16 Sliding door right
- Z00 Fawcett
- Z00 Panel van

Important notes:
 - It is the responsibility of the bodybuilder to ensure that the vehicle is suitable for homologation after the body has been mounted.
 - The drawing is simplified to some extent and is not legally binding. For more details and further explanations please see the MBAC-Info User Guide in the bodybuilder portal.
 - Please check whether the drawing specification complies with the chassis configuration of your order.
 - Optional equipment codes not listed here, KW-codes and changes resulting from feasibility checks (BBA) are not included in the drawing.

vehicle type :	loading space =	371 cu.ft.	H		G		unladen		unladen		G		All dimensions refer to the standard version. Measurements of laden vehicle.		The reserve of rights for this drawing/the drawing may neither be copied nor passed on to any third person.		
906.653-13	56 sq.ft.		24.6	27.5	111	18	12	16	α°	β°	Our instructions for the manufacturer of superstructures must be observed, when planning in fit bodies of other than Mercedes-Benz manufacturers.		Dimensions are subject to a tolerance of up to +/- 3%.		Cargo Van/Crew Van		
tyres	215/85R16	gross vehicle weight	GW (t)	FA (t)	RA (t)	Subject to change.						23.04.15		Abtlg.(Dept.)TE/SDD 70546 Stuttgart		3500/4x2/144.3	
	215/85R16		2269	839										Mercedes-Benz		HVA 9061000226	
												2025 Date		Order no.		2025 Date	