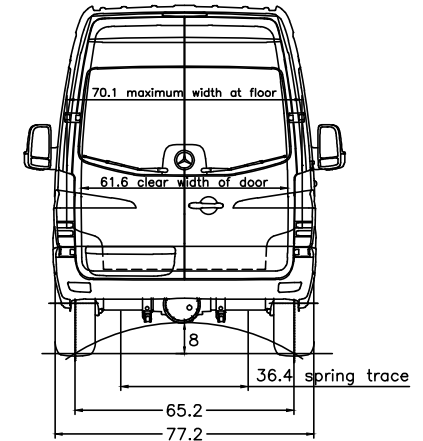


Heckueroeffnung 90°/180°
(rear door opening)
Sonderausrustung 260°
(optional equipment)



Important notes:
- It is the responsibility of the bodybuilder to ensure that the vehicle is suitable for homologation after the body has been mounted.
- The drawing is simplified to some extent and is not legally binding. For more details and further explanations please see the Mercedes-Benz User Guide in the bodybuilder portal.
- Please check whether the drawing specification complies with the chassis configuration of your order.
- Optional equipment codes not listed here, KW-codes and changes resulting from feasibility checks (BBA) are not included in the drawing.

- D00 Full-length partition
- D04 Wheelbase 3685 mm
- N03 Engine OM 662 DC 3D LA 140 kW (190 hp) 3800 rpm
- M02 Engine low-emission EPA 14/CAEP
- H06 Super-slim tyres 285/60 R16 C
- S04 Adjustable co-drivers seat
- T16 Sliding door right
- S04 Weight variant 4,800 kg
- Z00 F0400H
- Z00 F0400V

D03 High roof
D05 High roof

vehicle type :	loading space =	371 cu.ft.	H		G		α°		β°		γ°		All dimensions refer to the standard version. Measurements of laden vehicle.		The reserve of rights for this drawing/the drawing may neither be copied nor passed on to any third person.			
906.653-13	58.1 sq.ft.		unladen	unladen	111	118	12	17	Our instructions for the manufacturer of superstructures must be observed, when planning in fit bodies of other than Mercedes-Benz manufacturers.				Dimensions are subject to a tolerance of up to +/- 3%					
tyres	205/75R16 285/65R16	gross vehicle weight	GW (t)	FA (t)	2087	839	Subject to change.					Cargo Van/Crew Van						
												23.04.15	3500/4x2/144.3					
												2025	Date	2025	Date	Order no.	Order no.	Mercedes-Benz