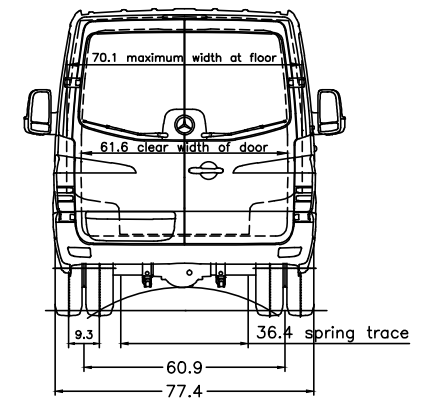


Hecktueroeffnung 90°/180°
(rear door opening)
Sonderausrustung 260°
(optional equipment)



- 103 Sprinter standard
- 104 Wheelbase 3685 mm
- 105 Engine OM 502 DE 3D LA 140 kW (190 hp) 3800 rpm
- 106 Engine 105-emission EPA 14/CA9B
- 107 Tyres LT 215/85 R16
- 108 Adjustable co-drivers seat
- 116 Sliding door right
- 120 Fovohit
- 203 AP-wheel-drive, engageable, with low range
- 240 Panel van

Important notes:
- It is the responsibility of the bodybuilder to ensure that the vehicle is suitable for homologation after the body has been mounted.
- The drawing is simplified to some extent and is not legally binding. For more details and further explanations please see the Mercedes-Benz User Guide in the bodybuilder portal.
- Please check whether the drawing specification complies with the chassis configuration of your order.
- Optional equipment codes not listed here, KW-codes and changes resulting from feasibility checks (BBA) are not included in the drawing.

vehicle type :	loading space =	318 cu.ft.		H	G			All dimensions refer to the standard version. Measurements of body vehicle.	
906.653-13	56 sq.ft.	24.8	29	96.2	26	27	21	Our instructions for the manufacture of superstructures must be observed, when planning in fit bodies of other than Mercedes-Benz manufacturers.	
tyres	205/75R16 205/75R16	gross vehicle weight	GW (t)	FA (t)	RA (t)	Subject to change.			
			2269	907					
								23.04.15	

Cargo Van/Crew Van
Abtig.(dept.)TE/SOD
70546 Stuttgart
3500/4x2/144.3
Mercedes-Benz
HVA 9061000221