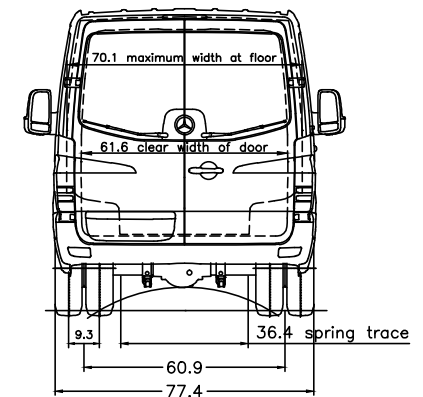


Hecktueroeffnung 90°/180°  
(rear door opening)  
Sonderausrustung 260°  
(optional equipment)



- 103 Sprinter standard
- 104 Wheelbase 3685 mm
- 105 Engine OM 662 EC 3D LA 140 kW (190 hp) 3800 rpm
- 107 Engine, low-emission EPA 16/CW10
- 107 Tyres LT 215/85 R16
- 104 Adjustable co-drivers seat
- 116 Sliding door right
- 120 Fovett
- 203 All-wheel-drive, engageable, with low range
- 240 Panel van

Important notes:  
- It is the responsibility of the bodybuilder to ensure that the vehicle is suitable for homologation after the body has been mounted.  
- The drawing is simplified to some extent and is not legally binding. For more details and further explanations please see the Mercedes-Benz User Guide in the bodybuilder portal.  
- Please check whether the drawing specification complies with the chassis configuration of your order.  
- Optional equipment codes not listed here, KW-codes and changes resulting from feasibility checks (BBA) are not included in the drawing.

vehicle type :	loading space =	H	G	α°	β°	γ°	δ°	All dimensions refer to the standard version. Measurements of laden vehicle.		The reserve of rights for this drawing/the drawing may neither be copied nor passed on to any third person.	
906.653-13	56 sq.ft.	24.8	29	96.2	26	27	21	Our instructions for the manufacture of superstructures must be observed, when planning in fit bodies of other than Mercedes-Benz manufacturers.		Dimensions are subject to a tolerance of up to +/- 3%.	
tyres	205/75R16 205/75R16	gross vehicle weight	GW (t)	FA (t)	RA (t)	Subject to change.				Cargo Van/Crew Van	
			2269	907						Abtlg.(Dept.)TE/SOD 70546 Stuttgart	
								23.04.15		3500/4x2/144.3	
								205 Date		Mercedes-Benz HVA 9061000227	