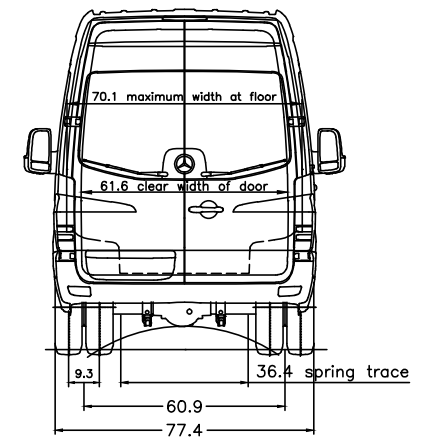


Hecktueroeffnung 90°/180°
(rear door opening)
Sonderausrustung 260°
(optional equipment)



Important notes:
- It is the responsibility of the bodybuilder to ensure that the vehicle is suitable for homologation after the body has been mounted.
- The drawing is simplified to some extent and is not legally binding. For more details and further explanations please see the MBAC-Info User Guide in the bodybuilder portal.
- Please check whether the drawing specification complies with the chassis configuration of your order.
- Optional equipment codes not listed here, KW-codes and changes resulting from feasibility checks (BBA) are not included in the drawing.

- D03 High roof
- D03 High roof
- D00 Full-length partition
- I03 Sprinter standard
- R07 Wheelbase 4225 mm, overhang 2015 mm
- M03 Engine OM 602 DE 20 144 kW (190 hp) 3800 rpm
- M05 Engine 100-optional EPA 14/CA08
- M07 Tyres LT 215/85 R16
- S04 Adjustable co-drivers seat
- T16 Sliding door right
- R00 Fawcett
- Z01 All-wheel drive, engageable
- S00 Panel van

vehicle type :	loading space =	547 cu.ft.	H	G	α°	β°	δ°	All dimensions refer to the standard version. Measurements of laden vehicle.		The reserve of rights for this drawing/the drawing may neither be copied nor passed on to any third person.	
906.657-13	86.1 sq.ft.		unladen	unladen	24.8	28.2	107	26	27	18	Our instructions for the manufacturer of superstructures must be observed, when planning to fit bodies of other than Mercedes-Benz manufacturers.
tyres	205/75R16 205/75R16	gross vehicle weight	GW (t)	FA (t)	2269	907					Dimensions are subject to a tolerance of up to +/- 3%.
											23.04.15
											2025 Date Order no.
											2025 Date Order no.