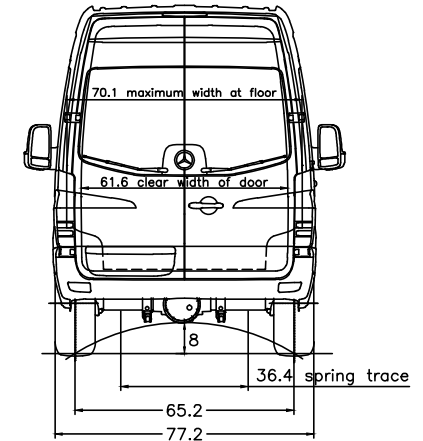


Hecktueroeffnung 90°/180°
(rear door opening)
Sonderausrustung 260°
(optional equipment)



Important notes:
 - It is the responsibility of the bodybuilder to ensure that the vehicle is suitable for homologation after the body has been mounted.
 - The drawing is simplified to some extent and is not legally binding. For more details and further explanations please see the MBAC-Info User Guide in the bodybuilder portal.
 - Please check whether the drawing specification complies with the chassis configuration of your order.
 - Optional equipment codes not listed here, KW-codes and changes resulting from feasibility checks (BBA) are not included in the drawing.

- D00 Full-length partition
- R07 Wheelbase 4325 mm, overhang 2015 mm
- N03 Engine OM 602 DE 20 144 kW (190 hp) 3800 rpm
- M07 Engine, low-emission EPA 16/CW08
- H08 Super-slimline tyres, 205/50 R16 C
- S04 Adjustable co-drivers seat
- T16 Sliding door right
- 244 Weight variant 4,800 kg
- 230 Facelift
- 240 Panel van

203 High roof
205 High roof

vehicle type :	loading space =	547 cu.ft.	H		G		α° β° δ°		All dimensions refer to the standard version. Measurements of laden vehicle.		The reserve of rights for this drawing/the drawing may neither be copied nor passed on to any third person.
906.657-13	86.1 sq.ft.	25.5	27	111	18	15	14	Our instructions for the manufacturer of superstructures must be observed, when planning in fit bodies of other than Mercedes-Benz manufacturers.		Dimensions are subject to a tolerance of up to +/- 3%	
tyres	205/75R16 285/65R16	gross vehicle weight	GW (t)	FA (t)	RA (t)	Subject to change.					Cargo Van/Crew Van
			2087	839						23.04.15	Abtig.(Dept.)TE/SDD 70546 Stuttgart
										2025 Date	Order no.
										2025 Date	Order no.

