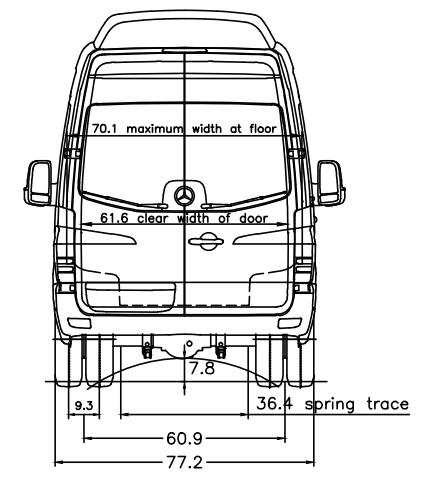


Hecktueroeffnung 90°/180°
(rear door opening)
Sonderausrustung 260°
(optional equipment)



Important notes:
- It is the responsibility of the bodybuilder to ensure that the vehicle is suitable for homologation after the body has been mounted.
- The drawing is simplified to some extent and is not legally binding. For more details and further explanations please see the MBAC-Info User Guide in the bodybuilder portal.
- Please check whether the drawing specification complies with the chassis configuration of your order.
- Optional equipment codes not listed here, KW-codes and changes resulting from feasibility checks (BBA) are not included in the drawing.

- D00 Full-length partition
- D03 Splitter standard
- H07 Wheelbase 4320 mm, overhang 2010 mm
- M03 Engine OM 691 DE 22 LA 120 kW (163 hp) 3800 rpm
- M05 Engine low-emission EPA 14/0408
- M07 Tyres LT 215/85 R16
- S04 Adjustable co-driver's seat
- T16 Sliding door right
- Z00 Fossil
- Z00 Panel van

D05 Super-high roof
D06 Super-high roof

vehicle type :	loading space =	600.3 cu.ft.	H	G			All dimensions refer to the standard version. Measurements of laden vehicle.	
906.657-13	84 sq.ft.	24.8	27	120.1	18	10	14	Our instructions for the manufacturer of superstructures must be observed, when planning in fit bodies of other than Mercedes-Benz manufacturers.
tyres	215/85R16	gross vehicle weight	GW (t)	FA (t)	RA (t)	Subject to change.		
	215/85R16		2269	839				
								23.04.15
								2025 Date Order no.
								2025 Date Order no.

Cargo Van/Crew Van
Abtig.(dept.)TE/S00
70546 Stuttgart
3500/4x2/170.3
HVA 9061000258
Mercedes-Benz