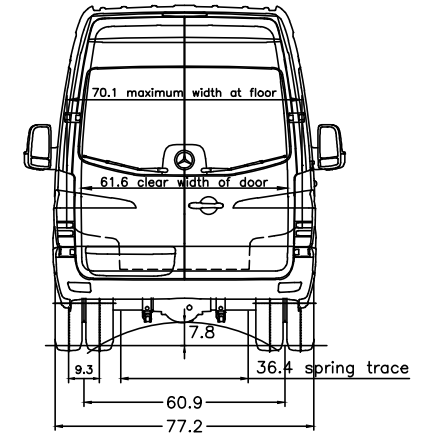


Hecktueroeffnung 90°/180°
(rear door opening)
Sonderausrustung 260°
(optional equipment)



Important notes:
- It is the responsibility of the bodybuilder to ensure that the vehicle is suitable for homologation after the body has been mounted.
- The drawing is simplified to some extent and is not legally binding. For more details and further explanations please see the MBAC-Info User Guide in the bodybuilder portal.
- Please check whether the drawing specification complies with the chassis configuration of your order.
- Optional equipment codes not listed here, KW-codes and changes resulting from feasibility checks (BBA) are not included in the drawing.

- D00 Full-length partition
- D03 High roof
- D05 High roof
- E03 Splitter standard
- E05 Wheelbase 4320 mm, overhang 1810 mm
- M03 Engine OM 691 DE 22 LA 120 kW (163 hp) 3800 rpm
- M05 Engine low-emission EPA 14/04/08
- M07 Tyres LT 215/85 R16
- S04 Adjustable co-driver's seat
- T16 Sliding door right
- Z00 Front
- Z00 Rear

vehicle type :	loading space =	494 cu.ft.	H		G		α° β° γ°		All dimensions refer to the standard version. Measurements of laden vehicle.		The reserve of rights for this drawing/the drawing may neither be copied nor passed on to any third person.
906.655-13	76.4 sq.ft.	24.7	27	110.8	18	12	14	Our instructions for the manufacture of superstructures must be observed, when planning in fit bodies of other than Mercedes-Benz manufacturers.		Dimensions are subject to a tolerance of up to +/- 3%	
tyres	215/85R16	gross vehicle weight	GW (t)	FA (t)	RA (t)	Subject to change.		23.04.15		Cargo Van/Crew Van	
	215/85R16		2269	839						Abtig./Dept./TE/SSD 70546 Stuttgart	
										3500/4x2/170.3	
										HVA 9061000231	